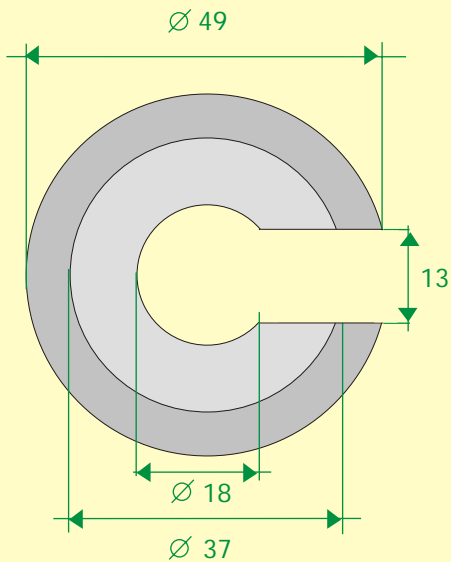


SPRING SEAT COLLECTION
ARANDELAS DE ASIENTO DEL MUELLE



SPRING SEAT 49x37x13

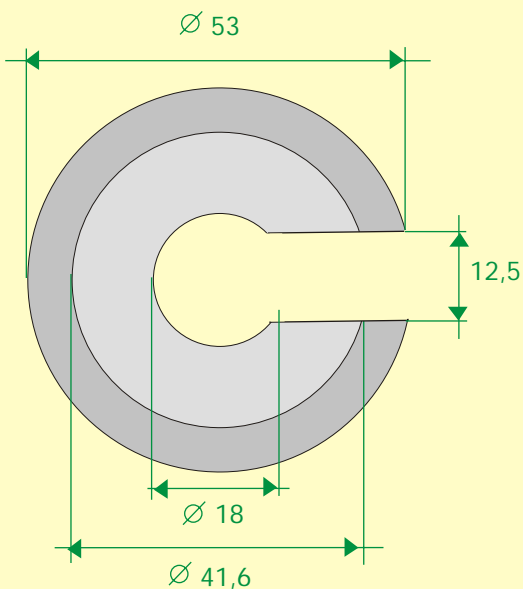
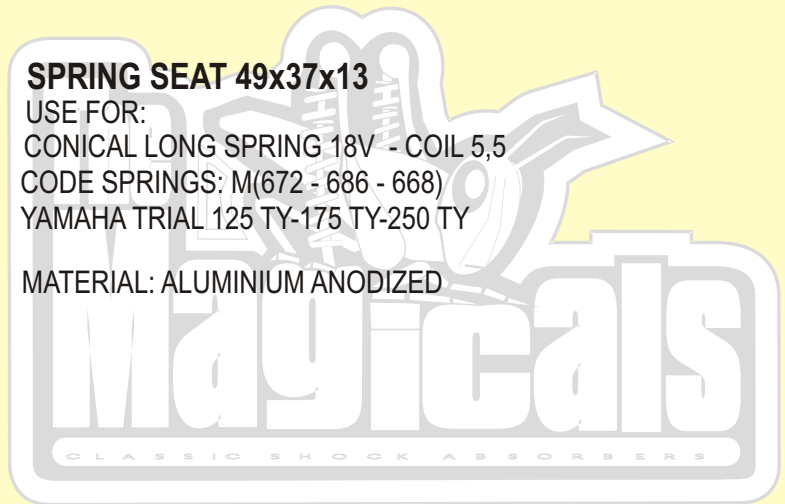
USE FOR:

CONICAL LONG SPRING 18V - COIL 5,5

CODE SPRINGS: M(672 - 686 - 668)

YAMAHA TRIAL 125 TY-175 TY-250 TY

MATERIAL: ALUMINIUM ANODIZED



SPRING SEAT 53x41x13

USE FOR:

LONG SPRINGS 2010:

CODE SPRINGS 12V COIL 6: M(715-716-717-718)

CODE SPRINGS 12V COIL 6,5: M(807-808-811)

CODE SPRINGS 15V COIL 5,5: M(626-627-630-628)

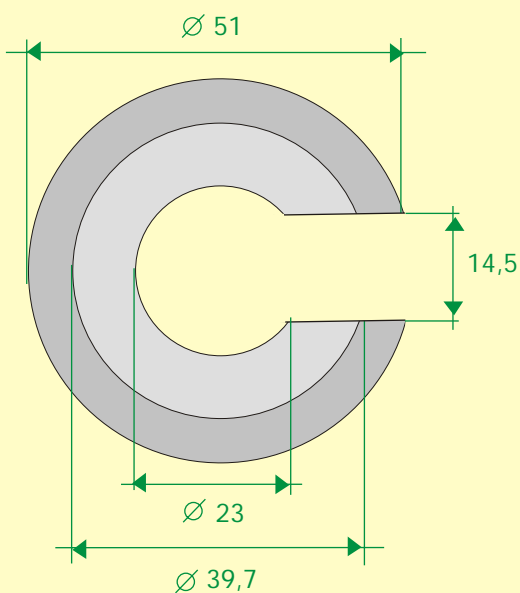
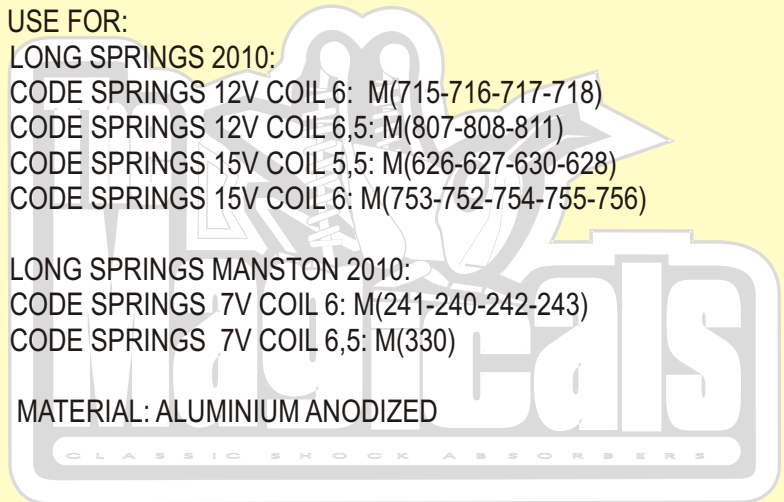
CODE SPRINGS 15V COIL 6: M(753-752-754-755-756)

LONG SPRINGS MANSTON 2010:

CODE SPRINGS 7V COIL 6: M(241-240-242-243)

CODE SPRINGS 7V COIL 6,5: M(330)

MATERIAL: ALUMINIUM ANODIZED



SPRING SEAT 51x39x14

USE FOR:

RA SHOCK ABSORBER PISTON ROAD D14

CONICAL LONG SPRINGS:

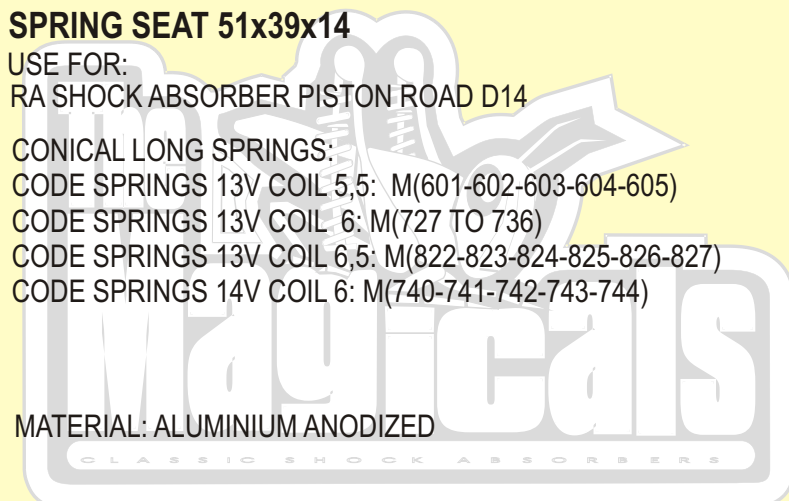
CODE SPRINGS 13V COIL 5,5: M(601-602-603-604-605)

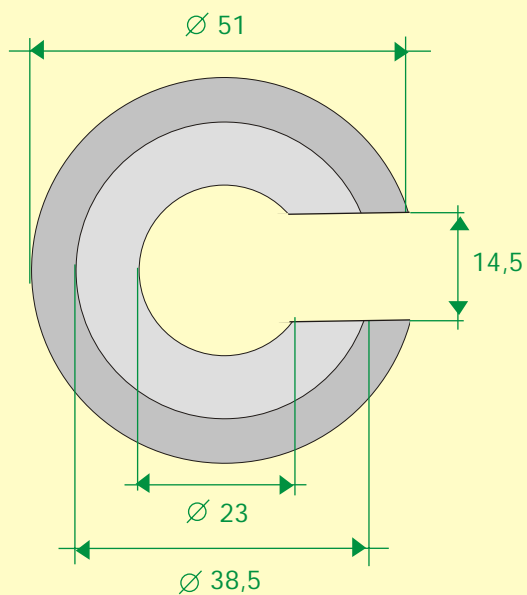
CODE SPRINGS 13V COIL 6: M(727 TO 736)

CODE SPRINGS 13V COIL 6,5: M(822-823-824-825-826-827)

CODE SPRINGS 14V COIL 6: M(740-741-742-743-744)

MATERIAL: ALUMINIUM ANODIZED



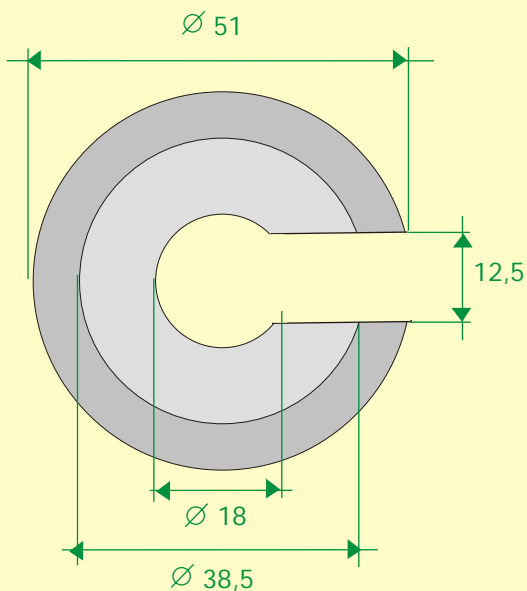


SPRING SEAT 51x38,5x14

USE FOR:
 RA SHOCK ABSORBER PISTON ROAD D14
 MODEL SPECIAL EDITION 3 SPRINGS
 LONG SPRINGS MANSTON 2012:
 CODE SPRINGS 7V COIL 6,5:M (347-348-349-350-351)

OPTION CAN USE THE STANDART SPRINGS
 LONG SPRINGS CONICAL:
 CODE SPRINGS 13V COIL 5,5: M(601-602-603-604-605-606)
 CODE SPRINGS 13V COIL 6: M(727 TO 736)
 CODE SPRINGS 13V COIL 6,5: M(822-823-824-825-826-827)
 CODE SPRINGS 14V COIL 6: M(740-741-742-743-744)

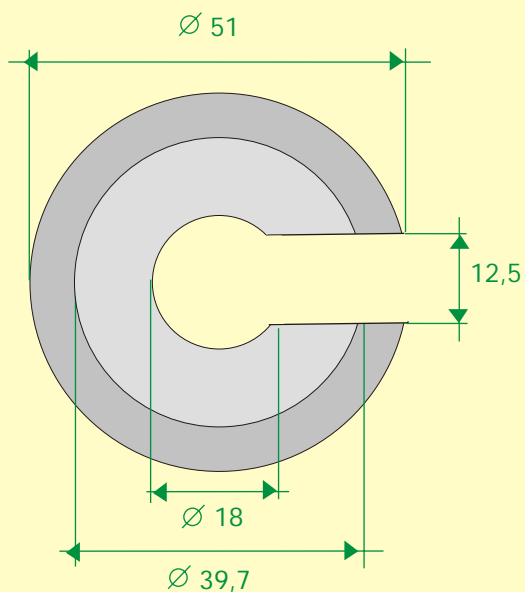
MATERIAL: ALUMINIUM ANODIZED



SPRING SEAT 51x38,5x12,5

USE FOR:
 LONG SPRINGS:
 MODEL SPECIAL EDITION 3 SPRINGS
 LONG SPRINGS MANSTON 2012:
 CODE SPRINGS 7V COIL 6,5:M (347-348-349-350-351)

MATERIAL: ALUMINIUM ANODIZED



SPRING SEAT 51x39,7x12,5

USE FOR:
 LONG SPRINGS CONICAL:
 CODE SPRINGS 13V COIL 5,5: M(601-602-603-604-605)
 CODE SPRINGS 13V COIL 6: M(727 TO 736)
 CODE SPRINGS 13V COIL 6,5: M(822-823-824-825-826-827)
 CODE SPRINGS 14V COIL 6: M(740-741-742-743-744)

MATERIAL: ALUMINIUM ANODIZED