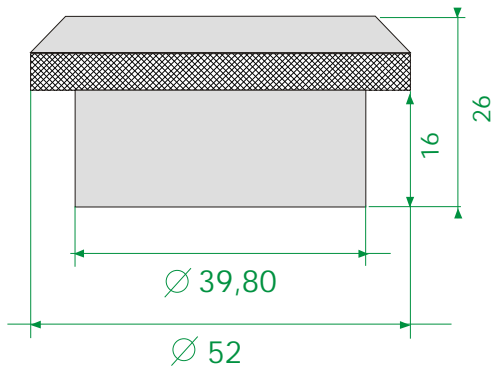


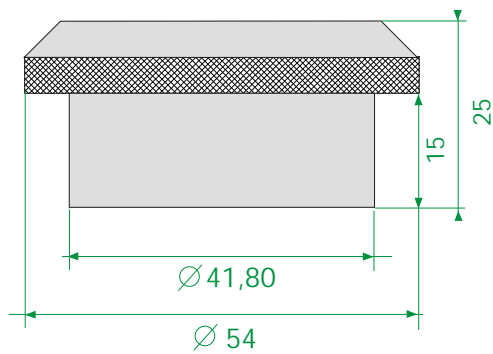
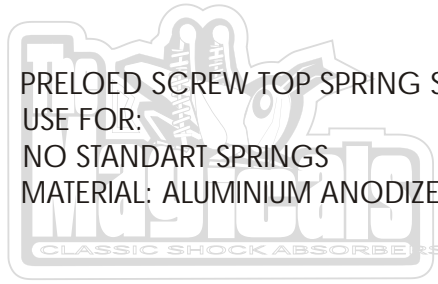


PRELOED SCREW TOP SPRING SEAT
ARANDELA PRECARGA MUELLE

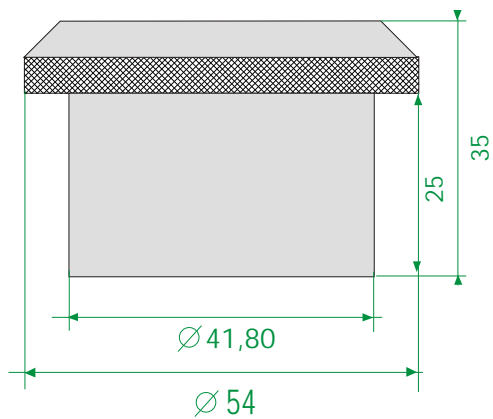
PRELOED SCREW TOP SPRING SEAT COLLECTION
ARANDELA SUPERIOR DE PRECARGA MUELLE



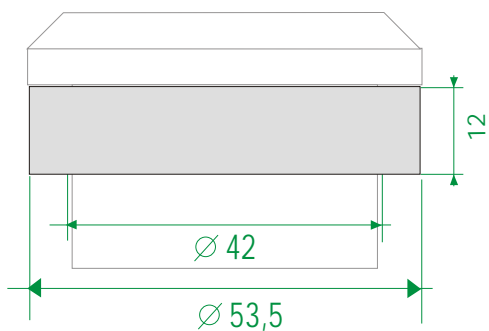
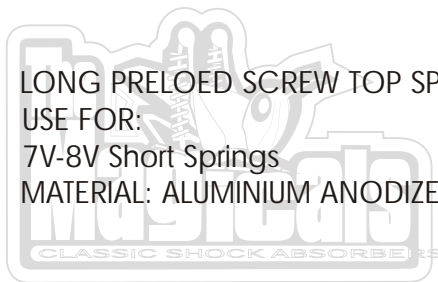
PRELOED SCREW TOP SPRING SEAT 39x 26
USE FOR:
NO STANDART SPRINGS
MATERIAL: ALUMINIUM ANODIZED



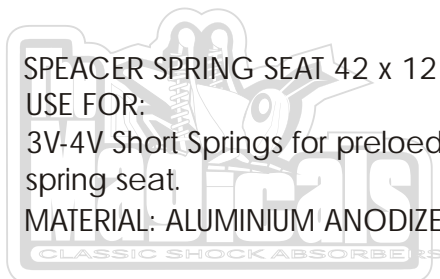
SHORT PRELOED SCREW TOP SPRING SEAT 41x 25
USE FOR:
3V-4V Short Springs
MATERIAL: ALUMINIUM ANODIZED



LONG PRELOED SCREW TOP SPRING SEAT 41x 35
USE FOR:
7V-8V Short Springs
MATERIAL: ALUMINIUM ANODIZED



SPEACER SPRING SEAT 42 x 12
USE FOR:
3V-4V Short Springs for preloed screw top
spring seat.
MATERIAL: ALUMINIUM ANODIZED



ARANDELA PARA SUSTITUIR EL MUELLE DE 6V Y 7V, POR UNO DE 3V/4V, EN LA RANDELA DE PRECARGA DEL MODELO RA. (PARA PILOTOS DE MAS DE 100K SE CONSIGUE UN AUMENTO DE DUREZA DEL 15 AL 30%)

